



Wow! I Made It.com

Picket Window Box

This pretty window box really comes alive when filled with colorful flowers. Not only does it look attractive mounted outside on a window ledge, but it also brightens up your window when admired from inside the house. The box is constructed around an inexpensive pre-made plastic planter. The size can be adjusted to fit any window.



Materials

- 30 linear feet of 1 x 2 pine
- 2 linear feet of 2 x 2 pine
- 1/2 linear foot of 1 x 4 pine
- Plastic planter box*

Hardware

- 150 1-1/4" 3d finishing nails
- 4, 2" screws

Cutting List

Code	Description	Qty.	Material	Dimensions
A	Long Supports	4	1 x 2 pine	29-1/2" long
B	Short Supports	4	1 x 2 pine	7-1/2" long
C	Pickets	23	1 x 2 pine	8" long
D	Posts	2	2 x 2 pine	8-1/2" long
E	Post Cap	2	1 x 4 pine	2" x 2"

***Notes on Materials**

We purchased a plastic planter box measuring 29 inches long, 5-1/4 inches deep, and 8-1/4 inches wide. It has a lip on the top, which rests on the wooden supports we built. You can use this design for any size box you wish, but you need to adjust the dimensions accordingly. The support assemblies fit just under the top lip of the planter.

Constructing the Planter Supports

1. Cut four long supports (A) from 1 x 2 pine, each measuring 29-1/2 inches long.
2. Cut four short supports (B) from 1 x 2 pine, each measuring 7-1/2 inches long.
3. Place two long supports (A) on a level surface, parallel to each other and 7-1/2 inches apart. Fit two short supports (B) between the long supports (A), as shown in *Figure 1*. Apply glue to the meeting surfaces and nail through the long supports (A) into the ends of the short supports (B). Use two 1-1/4" long nails on each joint.

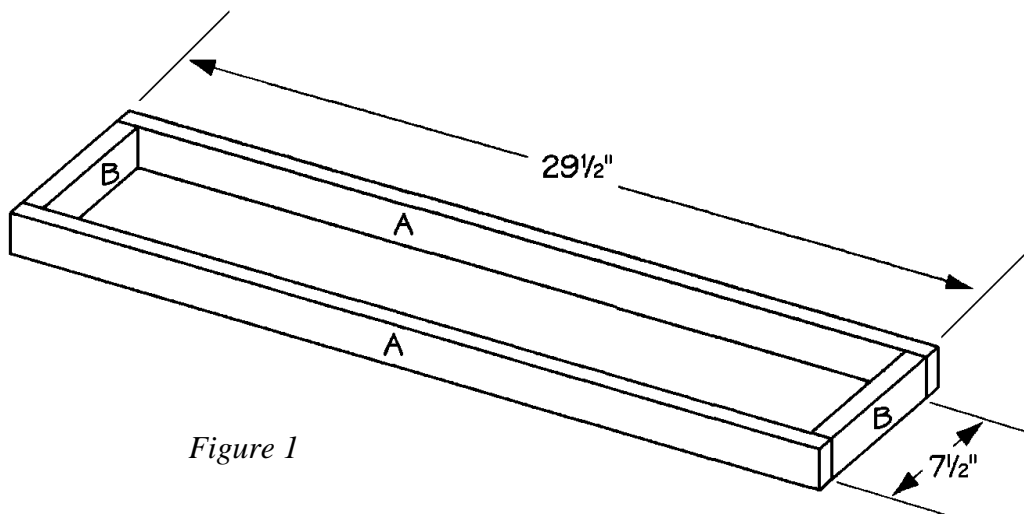
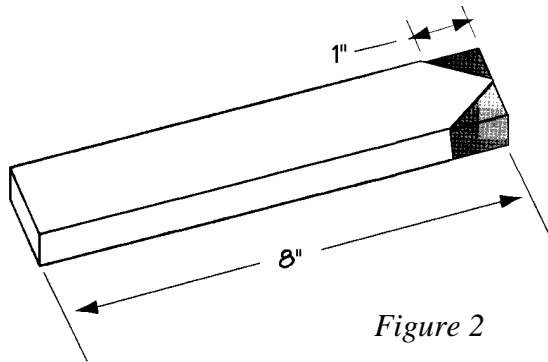


Figure 1

Adding the Pickets

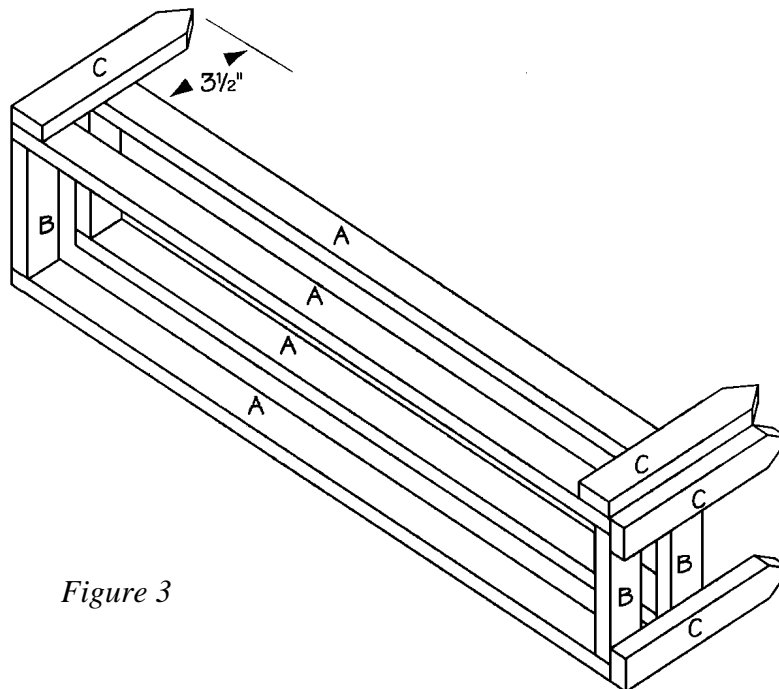
1. Cut 23 pickets (C) from 1 x 2 pine, each measuring 8 inches long.
2. Cut the corners off each of the 23 pickets (C), as shown in *Figure 2*.



3. Lay the two support assemblies on a level surface, parallel to each other, 1-1/2" apart, with the long supports (A) on the top and bottom, and the short supports (B) on the sides. Attach fifteen pickets (C) to the top of both support assemblies, starting with the outer pickets, as shown in *Figure 3*, spacing them 1/2-inch apart. These

outer pickets should be exactly flush with the ends of the long supports (A). Note that the square end of the pickets are flush with the bottom edge of one long support (A), and the pointed end is 3-1/2 inches higher than the top edge of the other long support (A). Apply glue to the meeting surfaces, and nail through the pickets into both of the long supports (A) using two 1-1/4-inch long nails on each joint.

4. Follow the procedure in Step 3 to attach four pickets to each of the short supports (B).



Adding the End Posts

1. Cut two posts (D) from 2 x 2 pine, each measuring 8-1/2 inches long.
2. Cut two post caps (E) from 1 x 4 pine, each measuring 2 x 2 inches.
3. Center one post cap (E) over the end of one post (D). Apply glue to the meeting surfaces and nail through the post cap (E) into the end of the post (D) using two 1-1/4-inch-long nails.
4. Repeat Step 3 to attach the remaining post cap (E) to the second post (D).
5. Fit the posts on each end of the window box, filling in the exposed corner between the side and front pickets (C) as shown in *Figure 4*. Screw through the inside corner of the support assemblies into the post (D) using a 2" screw on each joint.

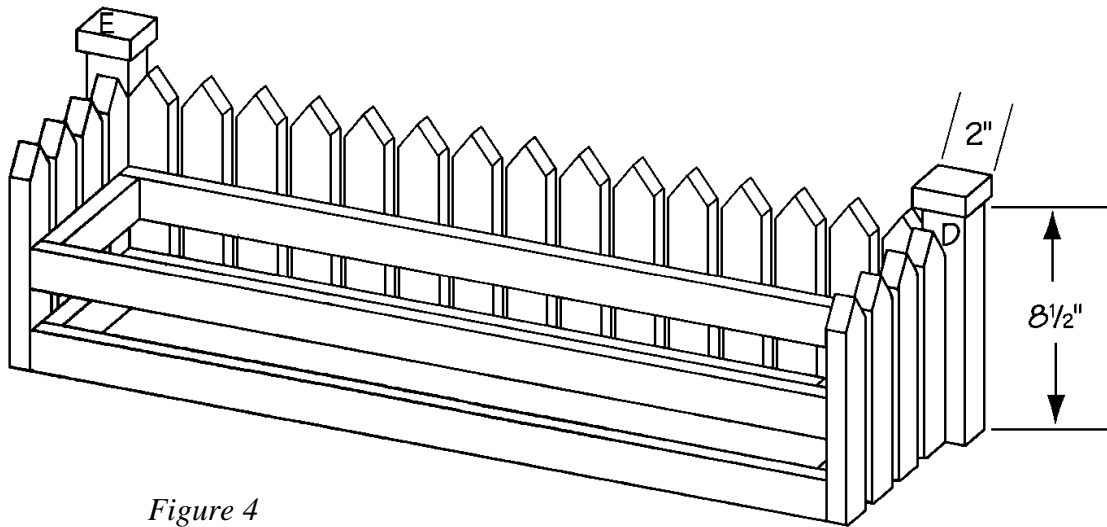


Figure 4

Finishing

1. Fill any cracks, crevices, or screw holes with wood filler, and thoroughly sand all surfaces of the completed window box.
2. Seal and paint or stain your window box the color of your choice.